

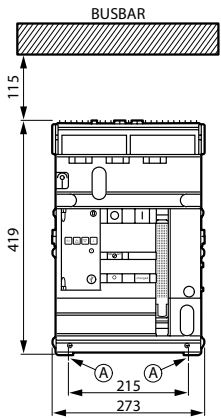
DMX³ 2500 and DMX³-I 2500 - frame 1

dimensions

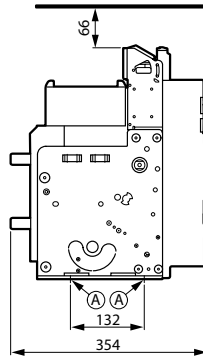
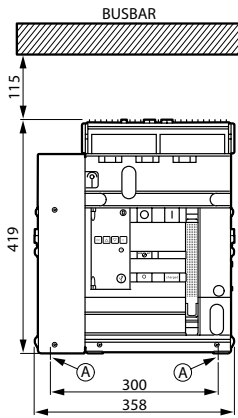
Fixed version - frame 1

Overall dimensions

3P version

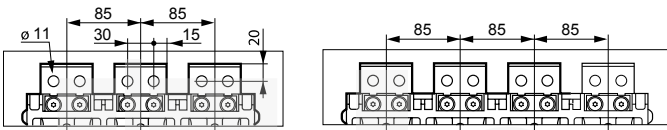


4P version



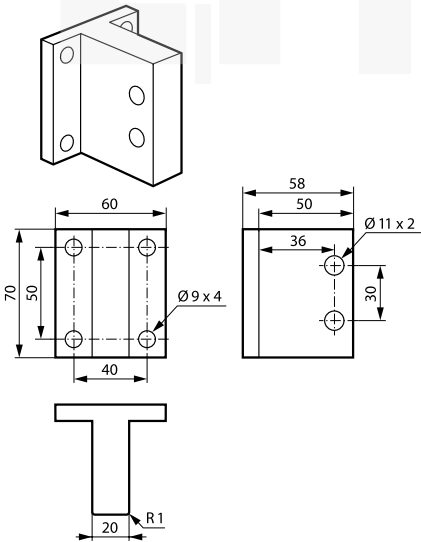
A = fixing point on plate of enclosure

Rear terminals fixed version 630 - 2500 A



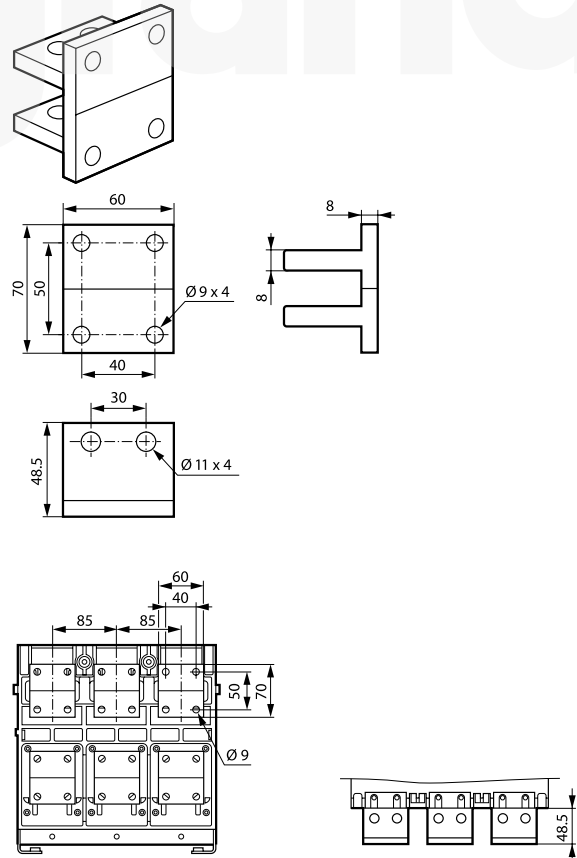
Rear terminals for vertical connection with bars

Cat.Nos 0288 82/83



Rear terminals for flat connection with bars

Cat.Nos 0288 84/85



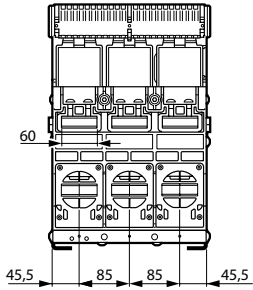
DMX³ 2500 and DMX³-I 2500 - frame 1

dimensions (continued)

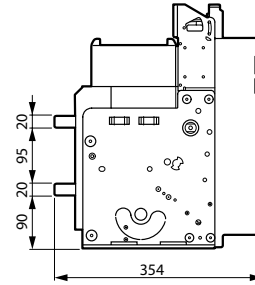
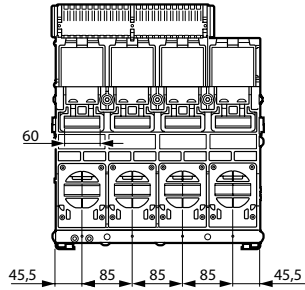
Fixed version - frame 1 (continued)

Rear terminals for horizontal connection with bars

3P version

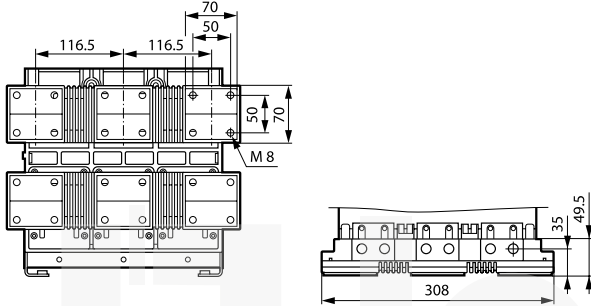


4P version

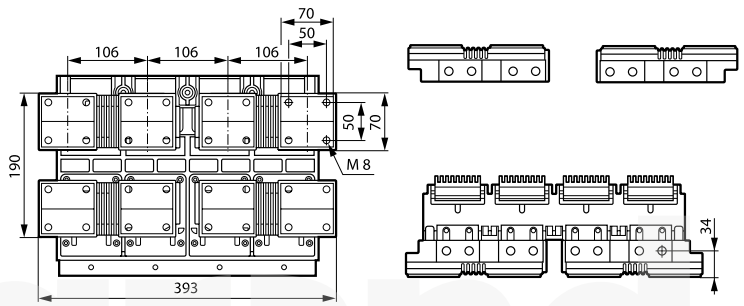


Spreaders for flat connection with bars

Cat.No 0288 86

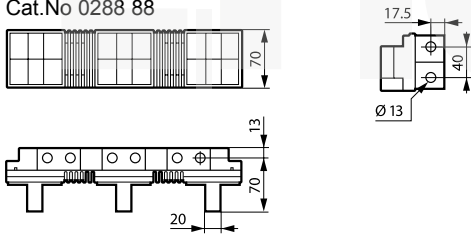


Cat.No 0288 87

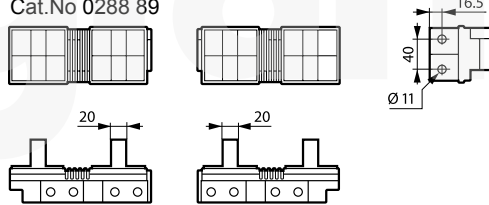


Spreaders for vertical connection with bars

Cat.No 0288 88

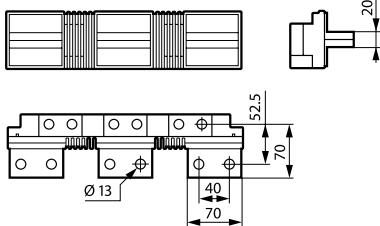


Cat.No 0288 89

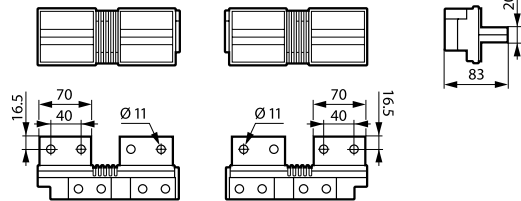


Spreaders for horizontal connection with bars

Cat.No 0288 90



Cat.No 0288 91

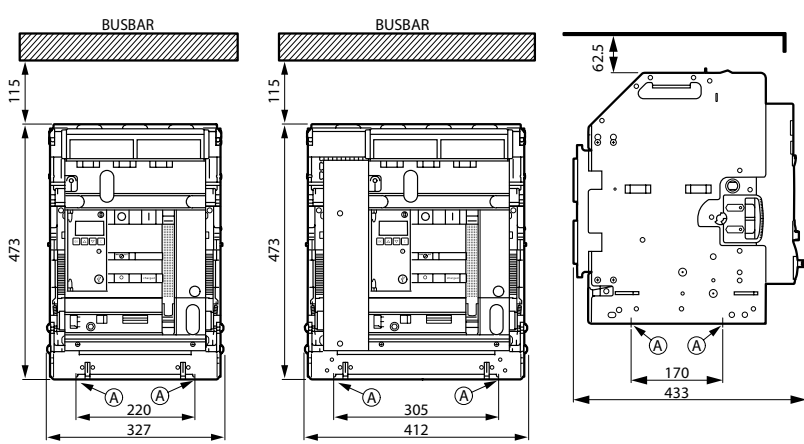


DMX³ 2500 and DMX³-I 2500 - frame 1

dimensions (continued)

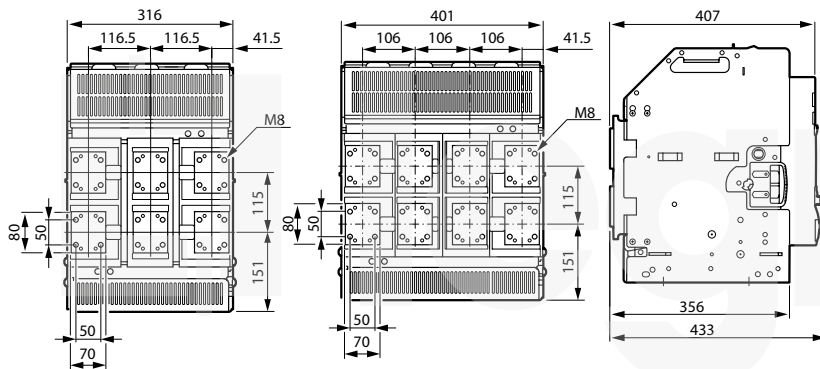
Draw-out version - frame 1

Overall dimensions

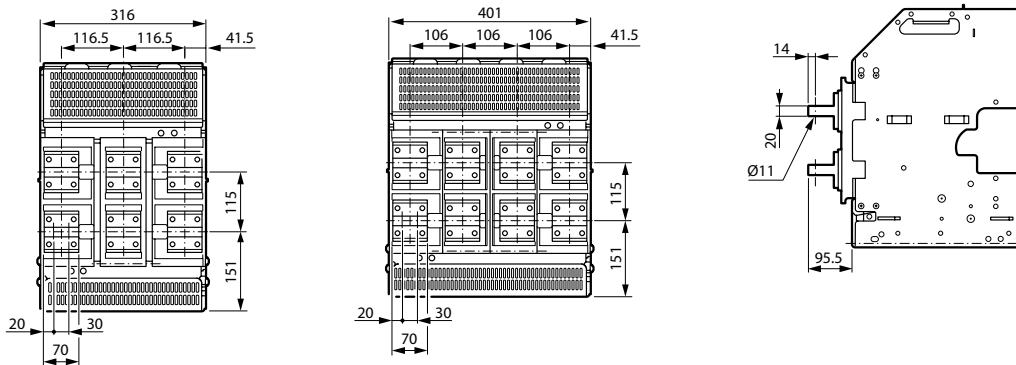


A = fixing point on plate of enclosure

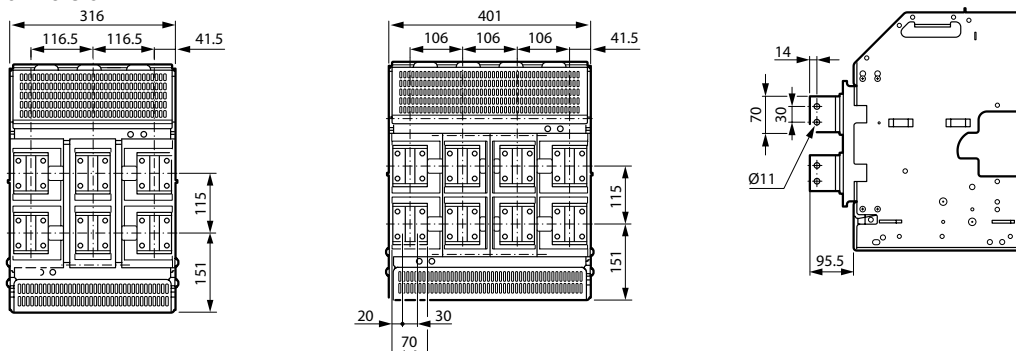
Rear terminals for flat connection with bars



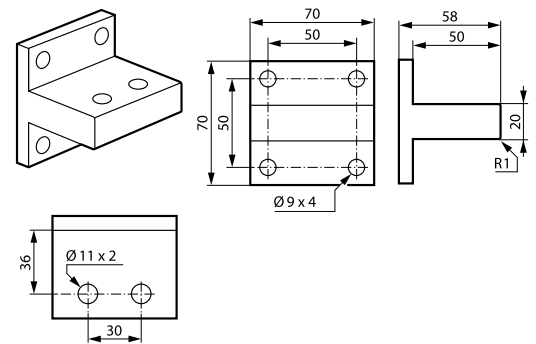
Rear terminals for horizontal connection with bars - Cat.Nos 0288 96/97



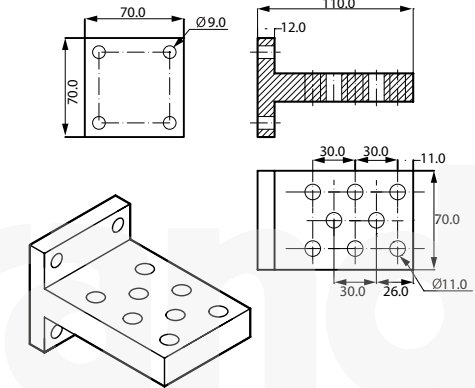
Rear terminals for vertical connection with bars - Cat.Nos 0288 96/97



Rear terminals for vertical or horizontal connection with bars



Cat.Nos 0288 96 A/97 A



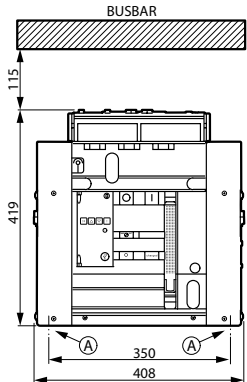
DMX³ 4000 and DMX³-I 4000 - frame 2

dimensions

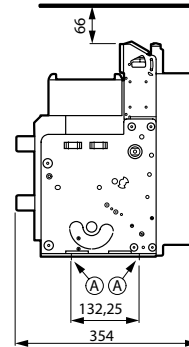
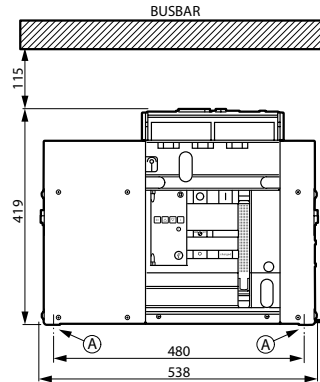
Fixed version - frame 2

Overall dimensions

3P version



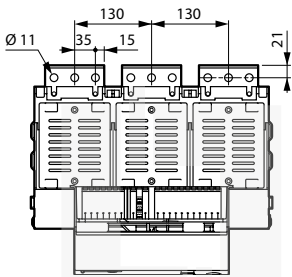
4P version



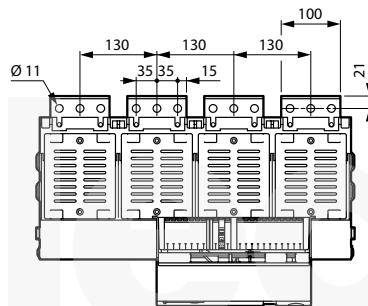
A = fixing point on plate of enclosure

Rear terminals fixed version 3200 - 4000 A

3P version

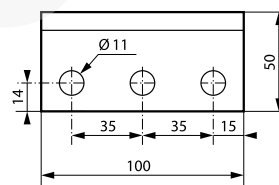
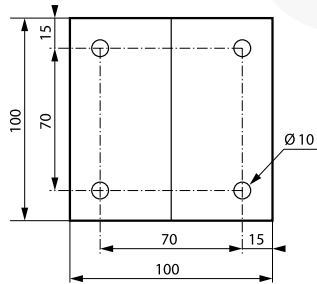
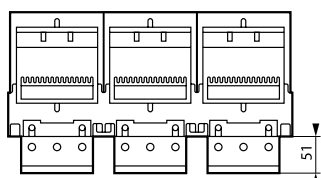


4P version

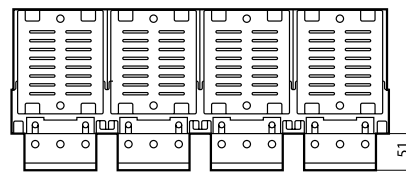
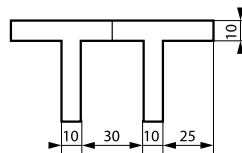


Rear terminals for flat connection with bars

Cat.Nos 0288 92/93

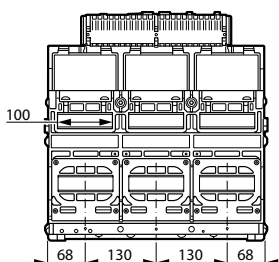


Cat.No 0288 93

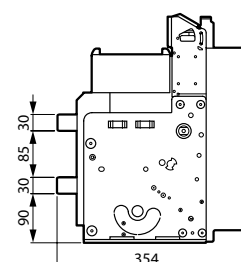
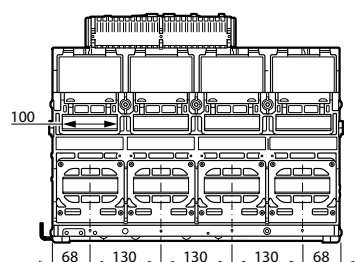


Rear terminals

3P version



4P version



All dimensions are in mm
1 inch = 25.4 mm
Accuracy of dimensions = ± 2 mm

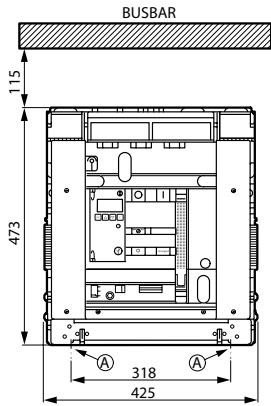
DMX³ 4000 and DMX³-I 4000 - frame 2

dimensions (continued)

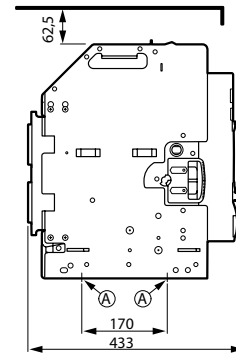
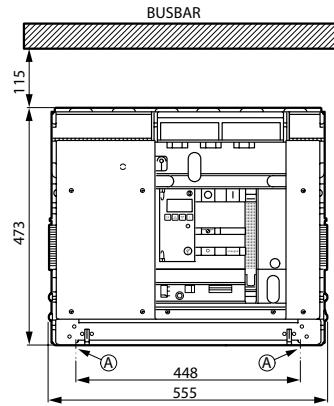
Draw-out version - frame 2

Overall dimensions

3P version

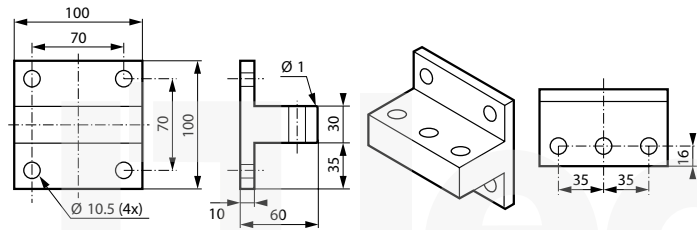


4P version

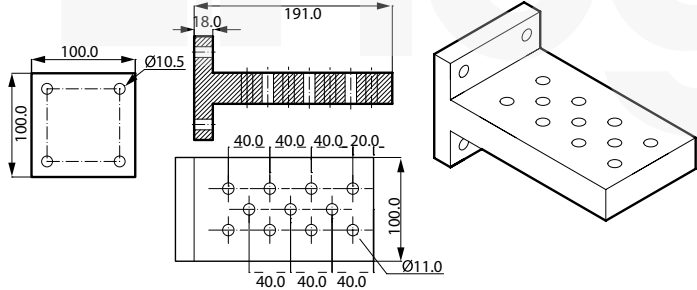


A = fixing point on plate of enclosure

Rear terminals for vertical or horizontal connection with bars Cat.Nos 0288 94/95

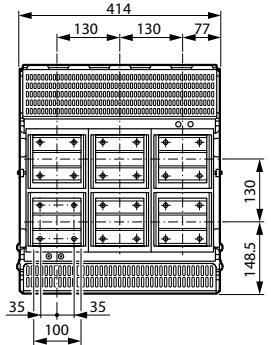


Cat.Nos 0288 94 A/95 A

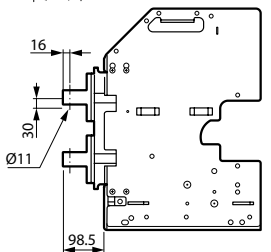
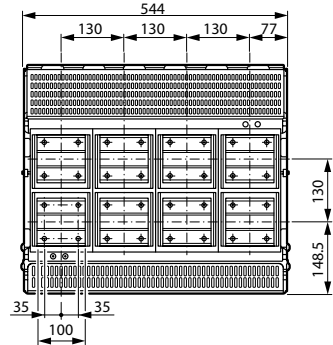


Rear terminals for horizontal connection with bars Cat.Nos 0288 94/95

3P version

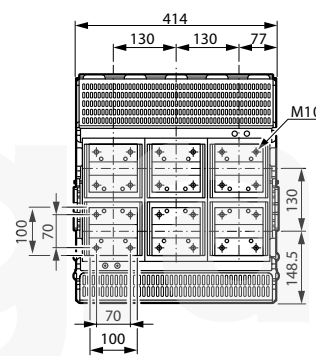


4P version

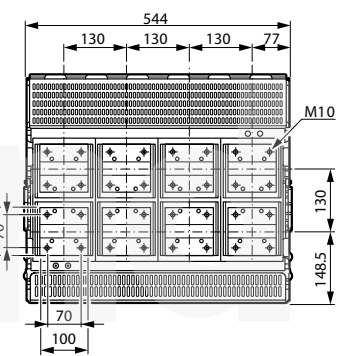


Rear terminals for flat connection with bars

3P version

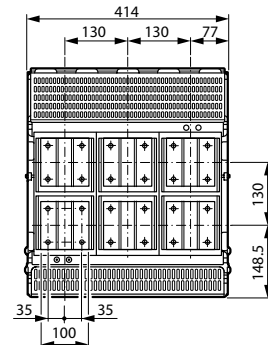


4P version

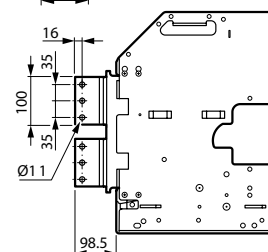
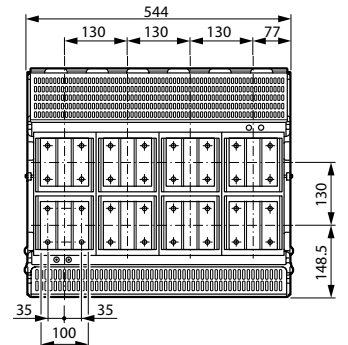


Rear terminals for vertical connection with bars Cat.Nos 0288 94/95

3P version



4P version

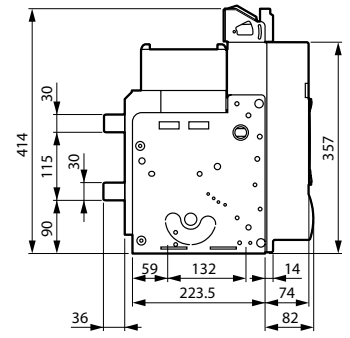
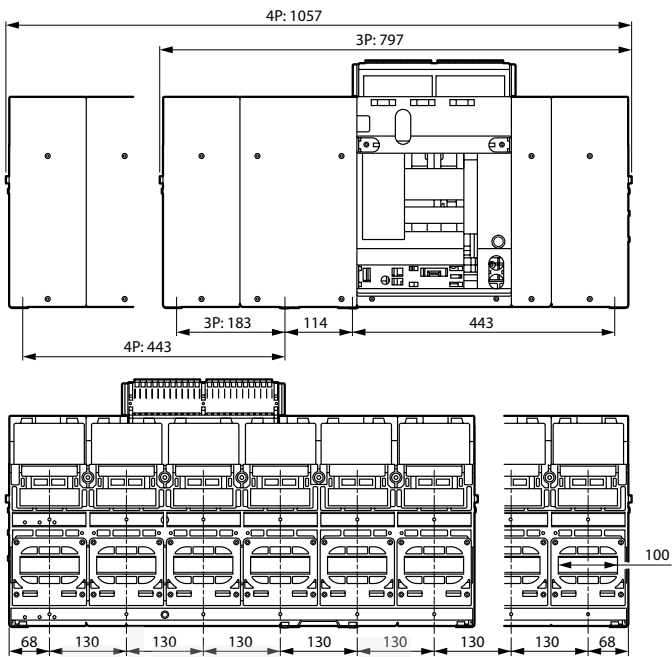


All dimensions are in mm
1 inch = 25.4 mm
Accuracy of dimensions = ± 2 mm

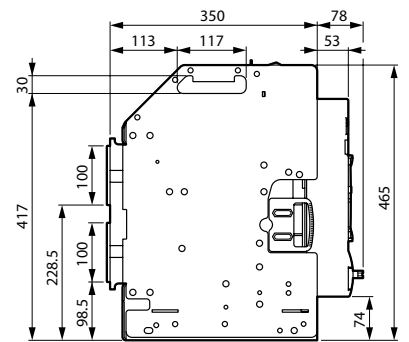
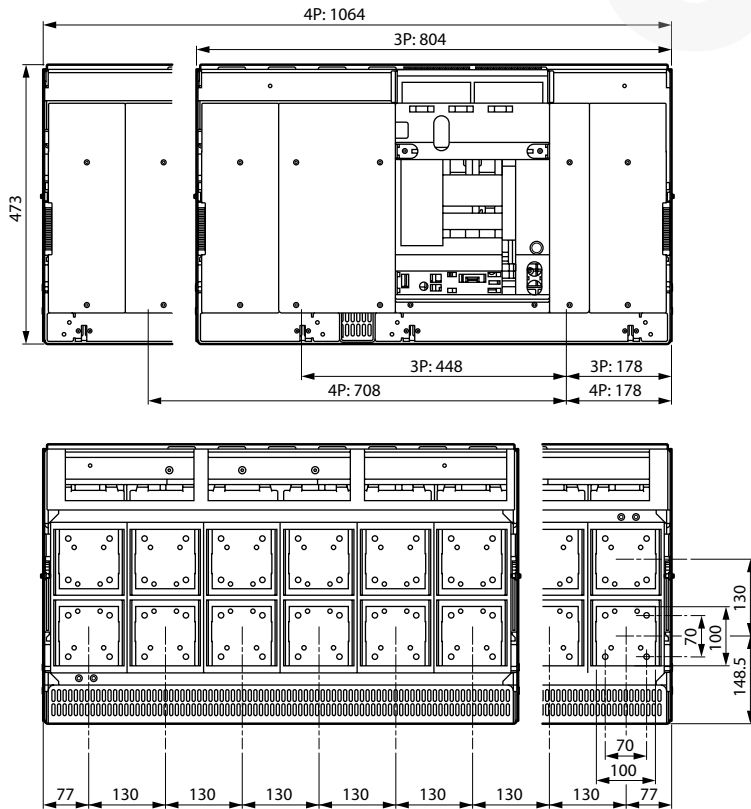
DMX³ 6300 and DMX³-I 6300 - frame 3

dimensions

Fixed version - frame 3



Draw-out version - frame 3



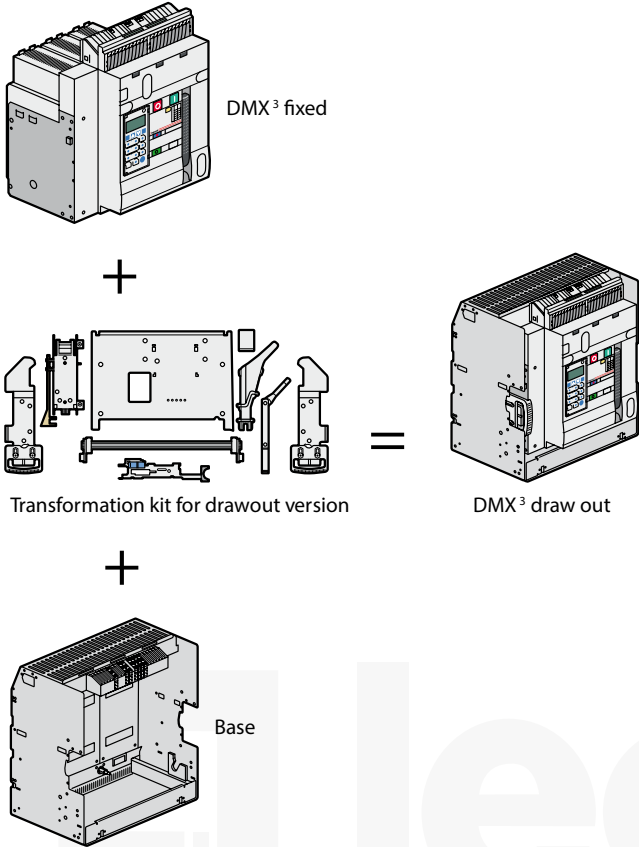
DMX³

transformation fixed/drawout

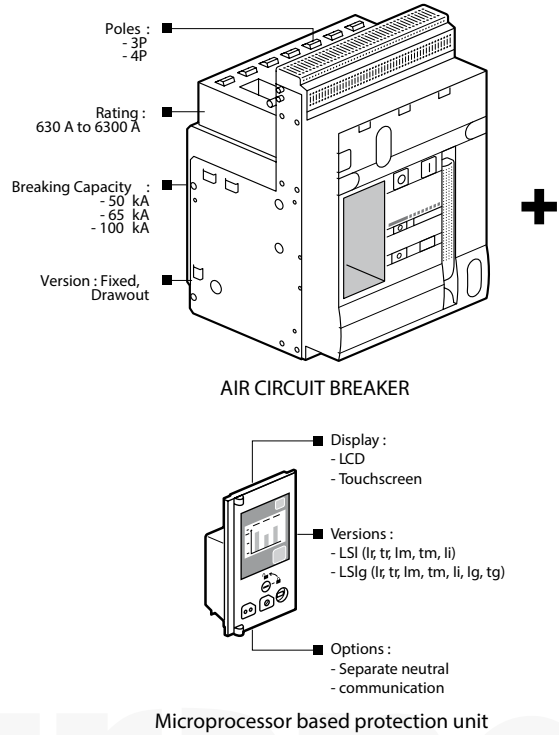
DMX³ & DMX³-I

customisation

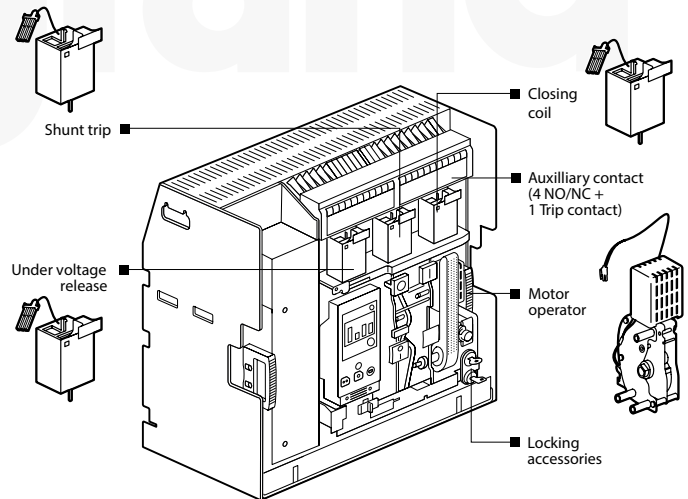
Transformation DMX³ Fixed to Drawout



Assembly



Auxiliaries and Accessories



Connection

