

Selectivity table DMX³ / DPX³

Limits of selectivity (average values kA at 400 V±)

Downstream MCCB	In	Upstream ACB																			
		DMX ³ - N 2500 (50 kA) DMX ³ - H 2500 (65 kA)					DMX ³ - L 2500 (100 kA)					DMX ³ -N 4000 (50 kA)		DMX ³ -H 4000 (65 kA)		DMX ³ -L 4000 (100 kA)		DMX ³ -L 6300 (100 kA)			
		800	1000	1250	1600	2000	2500	800	1000	1250	1600	2000	2500	3200	4000	3200	4000	3200	4000	5000	6300
DPX ³ 160 (16, 25, 36, 50 kA) with or without e.l.c.bs	16 - 160	T	T	T	T	T	T	T	T	T	T	T	T	T	T	T	T	T	T	T	T
DPX ³ 250 thermal-magnetic (25, 36, 50 kA) with or without e.l.c.bs	100-250	T	T	T	T	T	T	T	T	T	T	T	T	T	T	T	T	T	T	T	T
DPX ³ 250 thermal-magnetic (70 kA) with or without e.l.c.bs	100-250	-	-	-	-	-	-	T	T	T	T	T	T	T	T	T	T	T	T	T	T
DPX ³ 250 electronic release selector switch on "HIGH" (25, 36, 50 kA) with or without e.l.c.bs	40	T	T	T	T	T	T	T	T	T	T	T	T	T	T	T	T	T	T	T	T
	100	T	T	T	T	T	T	T	T	T	T	T	T	T	T	T	T	T	T	T	T
	160	T	T	T	T	T	T	T	T	T	T	T	T	T	T	T	T	T	T	T	T
	200	T	T	T	T	T	T	T	T	T	T	T	T	T	T	T	T	T	T	T	T
DPX ³ 250 electronic release selector switch on "HIGH" (70 kA) with or without e.l.c.bs	40	-	-	-	-	-	-	T	T	T	T	T	T	T	T	T	T	T	T	T	T
	100	-	-	-	-	-	-	T	T	T	T	T	T	T	T	T	T	T	T	T	T
	160	-	-	-	-	-	-	T	T	T	T	T	T	T	T	T	T	T	T	T	T
	200	-	-	-	-	-	-	T	T	T	T	T	T	T	T	T	T	T	T	T	T
DPX ³ 250 electronic release selector switch on "LOW" (25, 36, 50 kA) with or without e.l.c.bs	40	T	T	T	T	T	T	T	T	T	T	T	T	T	T	T	T	T	T	T	T
	100	T	T	T	T	T	T	T	T	T	T	T	T	T	T	T	T	T	T	T	T
	160	T	T	T	T	T	T	T	T	T	T	T	T	T	T	T	T	T	T	T	T
	200	T	T	T	T	T	T	T	T	T	T	T	T	T	T	T	T	T	T	T	T
DPX ³ 250 electronic release selector switch on "LOW" (70 kA) with or without e.l.c.bs	40	-	-	-	-	-	-	T	T	T	T	T	T	T	T	T	T	T	T	T	T
	100	-	-	-	-	-	-	T	T	T	T	T	T	T	T	T	T	T	T	T	T
	160	-	-	-	-	-	-	T	T	T	T	T	T	T	T	T	T	T	T	T	T
	200	-	-	-	-	-	-	T	T	T	T	T	T	T	T	T	T	T	T	T	T
DPX ³ 630 thermal magnetic (36, 50 kA)	250	T	T	T	T	T	T	T	T	T	T	T	T	T	T	T	T	T	T	T	T
	320	T	T	T	T	T	T	T	T	T	T	T	T	T	T	T	T	T	T	T	T
	400	T	T	T	T	T	T	T	T	T	T	T	T	T	T	T	T	T	T	T	T
	500	T	T	T	T	T	T	T	T	T	T	T	T	T	T	T	T	T	T	T	T
DPX ³ 630 thermal magnetic (70, 100 kA)	630	-	T	T	T	T	T	-	T	T	T	T	T	T	T	T	T	T	T	T	T
	250	-	-	-	-	-	-	T	T	T	T	T	T	T	T	T	T	T	T	T	T
	320	-	-	-	-	-	-	T	T	T	T	T	T	T	T	T	T	T	T	T	T
	400	-	-	-	-	-	-	T	T	T	T	T	T	T	T	T	T	T	T	T	T
DPX ³ 630 electronic release selector switch on "HIGH" S2 and Sg (36, 50 kA)	500	-	-	-	-	-	-	T	T	T	T	T	T	T	T	T	T	T	T	T	T
	630	-	T	T	T	T	T	-	T	T	T	T	T	T	T	T	T	T	T	T	T
	250	T	T	T	T	T	T	T	T	T	T	T	T	T	T	T	T	T	T	T	T
	320	T	T	T	T	T	T	T	T	T	T	T	T	T	T	T	T	T	T	T	T
DPX ³ 630 electronic release selector switch on "LOW" S2 and Sg (36, 50 kA)	400	T	T	T	T	T	T	T	T	T	T	T	T	T	T	T	T	T	T	T	T
	500	T	T	T	T	T	T	T	T	T	T	T	T	T	T	T	T	T	T	T	T
	630	-	T	T	T	T	T	-	T	T	T	T	T	T	T	T	T	T	T	T	T
	250	-	-	-	-	-	-	-	T	T	T	T	T	T	T	T	T	T	T	T	T
DPX ³ 630 electronic release selector switch on "HIGH" S2 and Sg (70, 100 kA)	320	-	-	-	-	-	-	T	T	T	T	T	T	T	T	T	T	T	T	T	T
	400	-	-	-	-	-	-	T	T	T	T	T	T	T	T	T	T	T	T	T	T
	500	T	T	T	T	T	T	T	T	T	T	T	T	T	T	T	T	T	T	T	T
	630	-	-	-	-	-	-	-	T	T	T	T	T	T	T	T	T	T	T	T	T
DPX ³ 630 electronic release selector switch on "LOW" S2 and Sg (70, 100 kA)	250	-	-	-	-	-	-	T	T	T	T	T	T	T	T	T	T	T	T	T	T
	320	-	-	-	-	-	-	-	-	-	-	-	-	-	-	-	-	-	-	-	-
	400	-	-	-	-	-	-	T	T	T	T	T	T	T	T	T	T	T	T	T	T
	500	-	-	-	-	-	-	T	T	T	T	T	T	T	T	T	T	T	T	T	T
DPX ³ 1600 thermal magnetic (36, 50 kA)	630	-	T	T	T	T	T	-	T	T	T	T	T	T	T	T	T	T	T	T	T
	800	-	-	-	T	T	T	-	-	-	-	-	-	-	-	-	-	-	-	-	-
	1000	-	-	-	-	T	T	-	-	-	-	-	-	-	-	-	-	-	-	-	-
	1250	-	-	-	-	-	T	T	-	-	-	-	-	-	-	-	-	-	-	-	-
DPX ³ 1600 thermal magnetic (70, 100 kA)	630	-	-	-	-	-	-	-	T	T	T	T	T	T	T	T	T	T	T	T	T
	800	-	-	-	-	-	-	-	-	-	-	-	-	-	-	-	-	-	-	-	-
	1000	-	-	-	-	-	-	-	-	-	-	-	-	-	-	-	-	-	-	-	-
	1250	-	-	-	-	-	-	-	-	-	-	-	-	-	-	-	-	-	-	-	-
DPX and DPX-H 1600 electronic release selector switch on "HIGH" S2 and Sg (30, 50, 70, 100 kA)	630	-	T	T	T	T	T	-	T	T	T	T	T	T	T	T	T	T	T	T	T
	800	-	-	-	T	T	T	-	-	-	-	-	-	-	-	-	-	-	-	-	-
	1000	-	-	-	-	-	T	T	-	-	-	-	-	-	-	-	-	-	-	-	-
	1250	-	-	-	-	-	T	T	-	-	-	-	-	-	-	-	-	-	-	-	-
DPX and DPX-H 1600 electronic release selector switch on "LOW" S2 and Sg (36, 50, 70, 100 kA)	1600	-	-	-	-	-	T ⁽¹⁾	T	-	-	-	-	-	-	-	-	-	-	-	-	-
	630	-	T	T	T	T	T	-	T	T	T	T	T	T	T	T	T	T	T	T	T
	800	-	-	-	T	T	T	-	-	-	-	-	-	-	-	-	-	-	-	-	-
	1000	-	-	-	-	-	T	T	-	-	-	-	-	-	-	-	-	-	-	-	-
DPX and DPX-H 1600 electronic release selector switch on "LOW" S2 and Sg (36, 50, 70, 100 kA)	1250	-	-	-	-	-	T	T	-	-	-	-	-	-	-	-	-	-	-	-	-
	1600	-	-	-	-	-	T ⁽¹⁾	T	-	-	-	-	-	-	-	-	-	-	-	-	-

T = total selectivity, up to downstream circuit breaker breaking capacity, according to IEC 60947-2 ; (1) Except with DMX

³ - N 2500 50 kA upstream : selectivity limit = 50 kA

Selectivity table thermal-magnetic release DPX³ / DPX³

Limits of selectivity (average values kA at 400 V±)

Downstream MCCB	In (A)	Upstream MCCB																				
		DPX ³ 160 16, 25, 36, 50 kA with or without e.l.c.bs							DPX ³ 250 25, 36, 50, 70 kA with or without e.l.c.bs				DPX ³ 630 36, 50, 70, 100 kA with or without e.l.c.bs				DPX ³ 1600 36, 50, 70, 100 kA					
		16	25	40	63	80	100	125	160	100	160	200	250	250	320	400	500	630	630	800	1000	1250
DPX ³ 160 16, 25 kA with or without e.l.c.bs	16	-	-	-	0.63	0.8	1	1.25	1.6	1	1.6	2	2.5	2.5	3.2	4	5	6.3	T ⁽¹⁾	T ⁽¹⁾	T ⁽¹⁾	T ⁽¹⁾
	25	-	-	-	0.63	0.8	1	1.25	1.6	1	1.6	2	2.5	2.5	3.2	4	5	6.3	T ⁽¹⁾	T ⁽¹⁾	T ⁽¹⁾	T ⁽¹⁾
	40	-	-	-	0.63	0.8	1	1.25	1.6	1	1.6	2	2.5	2.5	3.2	4	5	6.3	T ⁽¹⁾	T ⁽¹⁾	T ⁽¹⁾	T ⁽¹⁾
	63	-	-	-	-	0.8	1	1.25	1.6	-	-	-	-	2.5	3.2	4	5	6.3	T ⁽¹⁾	T ⁽¹⁾	T ⁽¹⁾	T ⁽¹⁾
	80	-	-	-	-	-	1	1.25	1.6	-	-	-	-	2.5	3.2	4	5	6.3	T ⁽¹⁾	T ⁽¹⁾	T ⁽¹⁾	T ⁽¹⁾
	100	-	-	-	-	-	-	1.25	1.6	-	-	-	-	2.5	3.2	4	5	6.3	T ⁽¹⁾	T ⁽¹⁾	T ⁽¹⁾	T ⁽¹⁾
	125	-	-	-	-	-	-	-	1.6	-	-	-	-	2.5	3.2	4	5	6.3	T ⁽¹⁾	T ⁽¹⁾	T ⁽¹⁾	T ⁽¹⁾
DPX ³ 160 36 kA with or without e.l.c.bs	16	-	-	-	0.63	0.8	1	1.25	1.6	1	1.6	2	2.5	2.5	3.2	4	5	6.3	16	16	16	16
	25	-	-	-	0.63	0.8	1	1.25	1.6	1	1.6	2	2.5	2.5	3.2	4	5	6.3	16	16	16	16
	40	-	-	-	0.63	0.8	1	1.25	1.6	1	1.6	2	2.5	2.5	3.2	4	5	6.3	16	16	16	16
	63	-	-	-	-	0.8	1	1.25	1.6	-	-	-	-	2.5	3.2	4	5	6.3	16	16	16	16
	80	-	-	-	-	-	1	1.25	1.6	-	-	-	-	2.5	3.2	4	5	6.3	16	16	16	16
	100	-	-	-	-	-	-	1.25	1.6	-	-	-	-	2.5	3.2	4	5	6.3	16	16	16	16
	125	-	-	-	-	-	-	-	1.6	-	1.6	2	2.5	2.5	3.2	4	5	6.3	16	16	16	16
DPX ³ 160 50 kA with or without e.l.c.bs	16	-	-	-	0.63	0.8	1	1.25	1.6	-	-	-	-	2.5	3.2	4	5	6.3	16	16	16	16
	25	-	-	-	0.63	0.8	1	1.25	1.6	-	-	-	-	2.5	3.2	4	5	6.3	16	16	16	16
	40	-	-	-	0.63	0.8	1	1.25	1.6	-	-	-	-	2.5	3.2	4	5	6.3	16	16	16	16
	63	-	-	-	-	0.8	1	1.25	1.6	-	-	-	-	2.5	3.2	4	5	6.3	16	16	16	16
	80	-	-	-	-	-	1	1.25	1.6	-	-	-	-	2.5	3.2	4	5	6.3	16	16	16	16
	100	-	-	-	-	-	-	1.25	1.6	-	-	-	-	2.5	3.2	4	5	6.3	16	16	16	16
	125	-	-	-	-	-	-	-	1.6	-	-	-	-	2.5	3.2	4	5	6.3	16	16	16	16
DPX ³ 250 thermal-magnetic 25, 36, 50, 70 kA with or without e.l.c.bs	160	-	-	-	-	-	-	-	-	-	-	-	-	2.5	3.2	4	5	6.3	16	16	16	16
	100	-	-	-	-	-	1.25	1.6	-	1.6	2	2.5	2.5	3.2	4	5	6.3	16	16	16	16	
	160	-	-	-	-	-	-	-	-	-	2	2.5	2.5	3.2	4	5	6.3	16	16	16	16	
	200	-	-	-	-	-	-	-	-	-	-	2.5	2.5	3.2	4	5	6.3	16	16	16	16	
	250	-	-	-	-	-	-	-	-	-	-	-	3.2	4	5	6.3	16	16	16	16		
	40	-	-	-	-	-	-	-	-	-	-	-	-	2.5	3.2	4	5	6.3	-	-	-	-
	100	-	-	-	-	-	-	-	-	-	-	-	-	2.5	3.2	4	5	6.3	-	-	-	-
DPX ³ 250 electronic release ⁽¹⁾ 25, 36, 50, 70 kA with or without e.l.c.bs	160	-	-	-	-	-	-	-	-	-	-	-	-	2.5	3.2	4	5	6.3	-	-	-	-
	200	-	-	-	-	-	-	-	-	-	-	-	-	2.5	3.2	4	5	6.3	-	-	-	-
	250	-	-	-	-	-	-	-	-	-	-	-	-	-	3.2	4	5	6.3	-	-	-	-
	40	-	-	-	0.63	0.8	1	1.25	1.6	1	1.6	2	2.5	2.5	3.2	4	5	6.3	16	16	16	16
DPX ³ 250 electronic release ⁽²⁾ 25, 36, 50, 70 kA with or without e.l.c.bs	100	-	-	-	-	-	-	1.25	1.6	-	1.6	2	2.5	2.5	3.2	4	5	6.3	16	16	16	16
	160	-	-	-	-	-	-	-	-	-	2	2.5	2.5	3.2	4	5	6.3	16	16	16	16	
	200	-	-	-	-	-	-	-	-	-	-	2.5	2.5	3.2	4	5	6.3	16	16	16	16	
	250	-	-	-	-	-	-	-	-	-	-	-	-	3.2	4	5	6.3	16	16	16	16	
DPX ³ 630 thermal magnetic 36, 50, 70, 100 kA	250	-	-	-	-	-	-	-	-	-	-	-	-	-	3.2	4	5	6.3	16	16	16	16
	320	-	-	-	-	-	-	-	-	-	-	-	-	-	-	4	5	6.3	16	16	16	16
	400	-	-	-	-	-	-	-	-	-	-	-	-	-	-	-	5	6.3	16	16	16	16
	500	-	-	-	-	-	-	-	-	-	-	-	-	-	-	-	-	6.3	16	16	16	16
DPX and DPX-H 630 electronic release selector switch on "HIGH" S2 and Sg 36, 50, 70, 100 kA	630	-	-	-	-	-	-	-	-	-	-	-	-	-	-	-	-	-	16	16	16	16
	250	-	-	-	-	-	-	-	-	-	-	-	-	-	-	-	-	-	-	-	-	-
	320	-	-	-	-	-	-	-	-	-	-	-	-	-	-	-	-	-	-	-	-	-
	400	-	-	-	-	-	-	-	-	-	-	-	-	-	-	-	-	-	-	-	-	-
DPX ³ 630 electronic release selector switch on "LOW" S1 and S2 36, 50, 70, 100 kA	500	-	-	-	-	-	-	-	-	-	-	-	-	-	-	-	-	-	-	-	-	-
	630	-	-	-	-	-	-	-	-	-	-	-	-	-	-	-	-	-	-	-	-	-
	250	-	-	-	-	-	-	-	-	-	-	-	-	-	-	-	-	-	6.3	8	10	12.5
	320	-	-	-	-	-	-	-	-	-	-	-	-	-	-	-	-	-	6.3	8	10	12.5
DPX ³ 1600 thermal magnetic 30, 50, 70, 100 kA	400	-	-	-	-	-	-	-	-	-	-	-	-	-	-	-	-	-	6.3	8	10	12.5
	500	-	-	-	-	-	-	-	-	-	-	-	-	-	-	-	-	-	6.3	8	10	12.5
	630	-	-	-	-	-	-	-	-	-	-	-	-	-	-	-	-	-	-	8	10	12.5
	800	-	-	-	-	-	-	-	-	-	-	-	-	-	-	-	-	-	-	8	10	12.5
DPX ³ 1600 electronic release selector switch on "HIGH" S2 and Sg 36, 50, 70, 100 kA	1000	-	-	-	-	-	-	-	-	-	-	-	-	-	-	-	-	-	-	-	-	-
	1250	-	-	-	-	-	-	-	-	-	-	-	-	-	-	-	-	-	-	-	-	-
	1600	-	-	-	-	-	-	-	-	-	-	-	-	-	-	-	-	-	-	-	-	-
	630	-	-	-	-	-	-	-	-	-	-	-	-	-	-	-	-	-	-	-	-	-
DPX ³ 1600 electronic release selector switch on "LOW" S2 and Sg 36, 50, 70, 100 kA	800	-	-	-	-	-	-	-	-	-	-	-	-	-	-	-	-	-	-	-	-	-
	1000	-	-	-	-	-	-	-	-	-	-	-	-	-	-	-	-	-	-	-	-	-
	1250	-	-	-	-	-	-	-	-	-	-	-	-	-	-	-	-	-	-	-	-	-
	1600	-	-	-	-	-	-	-	-	-	-	-	-	-	-	-	-	-	-	-	-	-

T = total selectivity up to downstream circuit breaker breaking capacity, according to IEC 60947-2
 (1) Except for DPX³ 160 25 kA downstream : selectivity limit = 16 kA

Selectivity table electronic release DPX³ / DPX³

Limits of selectivity (average values kA at 400 V±)

Downstream MCCB	I _{cu} (kA)	In (A)	Upstream MCCB electronic release, selector switch on "HIGH"								
			DPX ³ 250 electronic release (25, 36, 50, 70 kA) with or without e.l.c.bs				DPX ³ 630 electronic release S2, Sg (36, 50, 70, 100 kA)				
			40	100	160	250	250	320	400	500	630
DPX ³ 160 with or without e.l.c.bs	16, 25, 36 kA	16, 25	T	T	T	T	T	T	T	T	T
		40	-	T	T	T	T	T	T	T	T
		63, 80, 100	-	-	-	-	T	T	T	T	T
		125	-	-	-	-	T	T	T	T	T
		160	-	-	-	T	T	T	T	T	T
	50 kA	16, 25	-	-	-	-	36	36	36	36	36
		40	-	-	-	-	36	36	36	36	36
		63, 80, 100	-	-	-	-	36	36	36	36	36
		125	-	-	-	-	36	36	36	36	36
		160	-	-	-	-	36	36	36	36	36
DPX ³ 250 thermal-magnetic with or without e.l.c.bs	25 kA	100	-	-	16	16	T	T	T	T	T
		160	-	-	-	16	T	T	T	T	T
		200	-	-	-	16	T	T	T	T	T
		250	-	-	-	-	-	T	T	T	T
		100	-	-	25	25	T	T	T	T	T
	36 kA	160	-	-	-	25	T	T	T	T	T
		200	-	-	-	25	T	T	T	T	T
		250	-	-	-	-	-	T	T	T	T
		100	-	-	25	25	36	36	36	36	36
		160	-	-	-	25	36	36	36	36	36
	50 kA	200	-	-	-	25	36	36	36	36	36
		250	-	-	-	-	-	36	36	36	36
		100	-	-	36	36	36	36	36	36	36
		160	-	-	-	36	36	36	36	36	36
		200	-	-	-	36	36	36	36	36	36
70 kA	250	-	-	-	-	-	36	36	36	36	
	40	-	1	1.6	2.5	2.5	3.2	4	5	6.3	
	100	-	-	1.6	2.5	2.5	3.2	4	5	6.3	
	160	-	-	-	2.5	2.5	3.2	4	5	6.3	
	250	-	-	-	-	-	3.2	4	5	6.3	
DPX ³ 250 electronic release selector switch on "HIGH" with or without e.l.c.bs	25 kA	40	-	1	1.6	2.5	2.5	3.2	4	5	6.3
		100	-	-	1.6	2.5	2.5	3.2	4	5	6.3
		160	-	-	-	2.5	2.5	3.2	4	5	6.3
		250	-	-	-	-	-	3.2	4	5	6.3
		40	-	1	1.6	2.5	2.5	3.2	4	5	6.3
	36 kA	100	-	-	1.6	2.5	2.5	3.2	4	5	6.3
		160	-	-	-	2.5	2.5	3.2	4	5	6.3
		250	-	-	-	-	-	3.2	4	5	6.3
		40	-	1	1.6	2.5	2.5	3.2	4	5	6.3
		100	-	-	1.6	2.5	2.5	3.2	4	5	6.3
	50 kA	160	-	-	-	2.5	2.5	3.2	4	5	6.3
		250	-	-	-	-	-	3.2	4	5	6.3
		40	-	1	1.6	2.5	2.5	3.2	4	5	6.3
		100	-	-	1.6	2.5	2.5	3.2	4	5	6.3
		160	-	-	-	2.5	2.5	3.2	4	5	6.3
70 kA	250	-	-	-	-	-	3.2	4	5	6.3	
	40	-	1	1.6	2.5	2.5	3.2	4	5	6.3	
	100	-	-	1.6	2.5	2.5	3.2	4	5	6.3	
	160	-	-	-	2.5	2.5	3.2	4	5	6.3	
	250	-	-	-	-	-	3.2	4	5	6.3	
DPX ³ 250 electronic release selector switch on "LOW" with or without e.l.c.bs	25 kA	40	-	T	T	T	T	T	T	T	T
		100	-	-	T	T	T	T	T	T	T
		160	-	-	-	T	T	T	T	T	T
		250	-	-	-	-	-	T	T	T	T
		40	-	36	36	36	T	T	T	T	T
	36 kA	100	-	-	36	36	T	T	T	T	T
		160	-	-	-	36	T	T	T	T	T
		250	-	-	-	-	-	T	T	T	T
		40	-	36	36	36	36	36	36	36	36
		100	-	-	36	36	36	36	36	36	36
	50 kA	160	-	-	-	36	36	36	36	36	36
		250	-	-	-	-	-	36	36	36	36
		40	-	36	36	36	36	36	36	36	36
		100	-	-	36	36	36	36	36	36	36
		160	-	-	-	36	36	36	36	36	36
70 kA	250	-	-	-	-	-	36	36	36	36	
	40	-	36	36	36	36	36	36	36	36	
	100	-	-	36	36	36	36	36	36	36	
	160	-	-	-	36	36	36	36	36	36	
	250	-	-	-	-	-	36	36	36	36	
DPX ³ 630 thermal magnetic	36 and 50 kA	250	-	-	-	-	-	25	25	25	25
		320	-	-	-	-	-	-	25	25	25
		400	-	-	-	-	-	-	-	25	25
		500	-	-	-	-	-	-	-	-	25
		630	-	-	-	-	-	-	-	-	-
	70 kA	250	-	-	-	-	-	25	25	25	25
		320	-	-	-	-	-	-	25	25	25
		400	-	-	-	-	-	-	-	25	25
		500	-	-	-	-	-	-	-	-	25
		630	-	-	-	-	-	-	-	-	-
	100 kA	250	-	-	-	-	-	25	25	25	25
		320	-	-	-	-	-	-	25	25	25
		400	-	-	-	-	-	-	-	25	25
		500	-	-	-	-	-	-	-	-	25
		630	-	-	-	-	-	-	-	-	-
DPX ³ 630 electronic release selector switch on "HIGH" S2, Sg	36, 50, 70, 100 kA	250	-	-	-	-	-	3.2	4	5	6.3
		320	-	-	-	-	-	-	4	5	6.3
		400	-	-	-	-	-	-	-	5	6.3
		500	-	-	-	-	-	-	-	-	6.3
		630	-	-	-	-	-	-	-	-	-
DPX ³ 630 electronic release selector switch on "LOW" S2, Sg	36, 50, 70, 100 kA	250	-	-	-	-	-	16	16	16	16
		320	-	-	-	-	-	-	16	16	16
		400	-	-	-	-	-	-	-	16	16
		500	-	-	-	-	-	-	-	-	16
		630	-	-	-	-	-	-	-	-	-

T = total selectivity, up to downstream circuit breaker breaking capacity, according to IEC 60947-2

Selectivity table electronic release DPX³ / DPX³ (continued)

Limits of selectivity (average values kA at 400 V±)

Downstream MCCB	Icu (kA)	In (A)	Upstream MCCB electronic release, selector switch on "LOW"								
			DPX ³ 250 electronic release (25, 36, 50, 70 kA) with or without e.l.c.bs				DPX ³ 630 electronic release S2, Sg (36, 50, 70, 100 kA)				
			40	100	160	250	250	320	400	500	630
DPX ³ 160 with or without e.l.c.bs	16 kA	16, 25	-	1	1.6	2.5	6	6	6	6	6,3
		40	-	1	1.6	2.5	6	6	6	6	6,3
		63, 80, 100	-	-	-	-	6	6	6	6	6,3
		125	-	-	-	-	6	6	6	6	6,3
		160	-	-	-	2.5	6	6	6	6	6,3
		16, 25	-	1	1.6	2.5	6	6	6	6	6,3
	25 kA	40	-	1	1.6	2.5	6	6	6	6	6,3
		63, 80, 100	-	-	-	-	6	6	6	6	6,3
		125	-	-	-	-	6	6	6	6	6,3
		160	-	-	-	2.5	6	6	6	6	6,3
		16, 25	-	1	1.6	2.5	6	6	6	6	6,3
		40	-	1	1.6	2.5	6	6	6	6	6,3
	36 kA	63, 80, 100	-	-	-	-	6	6	6	6	6,3
		125	-	-	-	-	6	6	6	6	6,3
		160	-	-	-	2.5	6	6	6	6	6,3
		16, 25	-	-	-	-	6	6	6	6	6,3
		40	-	-	-	-	6	6	6	6	6,3
		63, 80, 100	-	-	-	-	6	6	6	6	6,3
	50 kA	125	-	-	-	-	6	6	6	6	6,3
		160	-	-	-	-	6	6	6	6	6,3
		16, 25	-	-	-	-	6	6	6	6	6,3
		40	-	-	-	-	6	6	6	6	6,3
		63, 80, 100	-	-	-	-	6	6	6	6	6,3
		125	-	-	-	-	6	6	6	6	6,3
DPX ³ 250 thermal-magnetic with or without e.l.c.bs	25 kA	100	-	-	1.6	2.5	6	6	6	6	6,3
		160	-	-	-	2.5	6	6	6	6	6,3
		200	-	-	-	2.5	6	6	6	6	6,3
		250	-	-	-	-	6	6	6	6	6,3
	36 kA	100	-	-	1.6	2.5	6	6	6	6	6,3
		160	-	-	-	2.5	6	6	6	6	6,3
		200	-	-	-	2.5	6	6	6	6	6,3
		250	-	-	-	-	6	6	6	6	6,3
	50 kA	100	-	-	1.6	2.5	6	6	6	6	6,3
		160	-	-	-	2.5	6	6	6	6	6,3
		200	-	-	-	2.5	6	6	6	6	6,3
		250	-	-	-	-	6	6	6	6	6,3
70 kA	100	-	-	1.6	2.5	6	6	6	6	6,3	
	160	-	-	-	2.5	6	6	6	6	6,3	
	200	-	-	-	2.5	6	6	6	6	6,3	
	250	-	-	-	-	6	6	6	6	6,3	
DPX ³ 250 electronic release selector switch on "HIGH" with or without e.l.c.bs	25 kA	40	-	-	-	-	-	-	-	-	-
		100	-	-	-	-	-	-	-	-	-
		160	-	-	-	-	-	-	-	-	-
		250	-	-	-	-	-	-	-	-	-
	36 kA	40	-	-	-	-	-	-	-	-	-
		100	-	-	-	-	-	-	-	-	-
		160	-	-	-	-	-	-	-	-	-
		250	-	-	-	-	-	-	-	-	-
	50 kA	40	-	-	-	-	-	-	-	-	-
		100	-	-	-	-	-	-	-	-	-
		160	-	-	-	-	-	-	-	-	-
		250	-	-	-	-	-	-	-	-	-
70 kA	40	-	-	-	-	-	-	-	-	-	
	100	-	-	-	-	-	-	-	-	-	
	160	-	-	-	-	-	-	-	-	-	
	250	-	-	-	-	-	-	-	-	-	
DPX ³ 250 electronic release selector switch on "LOW" with or without e.l.c.bs	25 kA	40	-	1	1.6	2.5	8	8	8	8	8
		100	-	-	1.6	2.5	6	6	6	6	6,3
		160	-	-	-	2.5	6	6	6	6	6,3
		250	-	-	-	-	6	6	6	6	6,3
	36 kA	40	-	1	1.6	2.5	8	8	8	8	8
		100	-	-	1.6	2.5	6	6	6	6	6,3
		160	-	-	-	2.5	6	6	6	6	6,3
		250	-	-	-	-	6	6	6	6	6,3
	50 kA	40	-	1	1.6	2.5	8	8	8	8	8
		100	-	-	1.6	2.5	6	6	6	6	6,3
		160	-	-	-	2.5	6	6	6	6	6,3
		250	-	-	-	-	6	6	6	6	6,3
70 kA	40	-	1	1.6	2.5	8	8	8	8	8	
	100	-	-	1.6	2.5	6	6	6	6	6,3	
	160	-	-	-	2.5	6	6	6	6	6,3	
	250	-	-	-	-	6	6	6	6	6,3	
DPX ³ 630 thermal magnetic	25, 36, 50, 70 kA	320	-	-	-	-	-	-	6	6	6,3
		400	-	-	-	-	-	-	-	6	6,3
		500	-	-	-	-	-	-	-	-	6,3
		630	-	-	-	-	-	-	-	-	-
		250	-	-	-	-	-	-	-	-	-
		320	-	-	-	-	-	-	-	-	-
DPX ³ 630 electronic release selector switch on "HIGH" S2, Sg	25, 36, 50, 70 kA	400	-	-	-	-	-	-	-	-	-
		500	-	-	-	-	-	-	-	-	-
		630	-	-	-	-	-	-	-	-	-
		250	-	-	-	-	-	-	-	-	-
DPX ³ 630 electronic release selector switch on "LOW" S2, Sg	25, 36, 50, 70 kA	320	-	-	-	-	-	3,2	4	5	6,3
		400	-	-	-	-	-	-	4	5	6,3
		500	-	-	-	-	-	-	-	5	6,3
		630	-	-	-	-	-	-	-	-	6,3

T = total selectivity, up to downstream circuit breaker breaking capacity, according to IEC 60947-2

Selectivity tables MCCBs/MCBs

Downstream MCB	In (A)	Upstream MCCB																								
		DPX ³ 160 (16, 25, 36, 50 kA) with or without e.l.c.bs								DPX ³ 250 (25, 36, 50, 70 kA) with or without e.l.c.bs				DPX ³ 250 electronic release ⁽¹⁾ (25, 36, 50, 70 kA) with or without e.l.c.bs				DPX ³ 250 electronic release ⁽²⁾ (25, 36, 50, 70 kA) with or without e.l.c.bs				DPX ³ 630 (36, 50, 70, 100 kA)				
		16	25	40	63	80	100	125	160	100	160	200	250	40	100	160	250	40	100	160	250	250	320	400	500	630
DX ³ 10 kA C curves	≤ 6	T	T	T	T	T	T	T	T	T	T	T	T	T	T	T	T	T	T	T	T	T	T	T	T	T
	10	5	T	T	T	T	T	T	T	T	T	T	T	T	T	T	T	T	T	T	T	T	T	T	T	T
	13	-	T	T	T	T	T	T	T	T	T	T	T	8	T	T	T	8	T	T	T	T	T	T	T	T
	16	-	T	T	T	T	T	T	T	T	T	T	T	6	T	T	T	6	T	T	T	T	T	T	T	T
	20	-	5	5	5	5	6	T	T	8	T	T	T	5	8	T	T	5	8	T	T	T	T	T	T	T
	25	-	-	4.5	4.5	4.5	4.5	T	T	6	T	T	T	4	6	T	T	4	6	T	T	T	T	T	T	T
	32	-	-	-	3	4	4	T	T	5	T	T	T	-	5	T	T	-	5	T	T	T	T	T	T	T
	40	-	-	-	3	3	3	T	T	5	T	T	T	-	5	T	T	-	5	T	T	T	T	T	T	T
	50	-	-	-	-	3	3	5.5	7	4	8	T	T	-	4	8	T	-	4	8	T	T	T	T	T	T
63	-	-	-	-	3	3	5	6	4	8	T	T	-	4	8	T	-	4	8	T	T	T	T	T	T	
DX ³ 10 kA D curve	≤ 6	6	T	T	T	T	T	T	T	T	T	T	T	T	T	T	T	T	T	T	T	T	T	T	T	T
	10	5	7.5	7.5	7.5	T	T	T	T	T	T	T	T	T	T	T	T	T	T	T	T	T	T	T	T	T
	16	-	-	5	5	5	T	T	T	T	T	T	T	6	T	T	T	6	T	T	T	T	T	T	T	T
	20	-	-	4.5	4.5	4.5	6	T	T	8	T	T	T	5	8	T	T	5	8	T	T	T	T	T	T	T
	25	-	-	-	4.5	4	4.5	T	T	6	T	T	T	-	6	T	T	-	6	T	T	T	T	T	T	T
	32	-	-	-	3	3	4	T	T	5	T	T	T	-	5	T	T	-	5	T	T	T	T	T	T	T
	40	-	-	-	3	3	3	T	T	5	T	T	T	-	5	T	T	-	5	T	T	T	T	T	T	T
	50	-	-	-	-	3	3	5.5	7	4	8	T	T	-	4	8	T	-	4	8	T	T	T	T	T	T
	63	-	-	-	-	-	3	5	6	-	8	T	T	-	-	8	T	-	-	8	T	T	T	T	T	T
DX ³ 16 kA	≤ 6	6	12	12	T	T	T	T	T	T	T	T	T	T	T	T	T	T	T	T	T	T	T	T	T	T
	10	5	7	7	7	T	T	T	T	T	T	T	T	T	T	T	T	T	T	T	T	T	T	T	T	T
	16	-	6	6	6	6	T	T	T	T	T	T	T	7	T	T	T	7	T	T	T	T	T	T	T	T
	20	-	5	5	5	5	6	T	T	T	T	T	T	5	T	T	T	5	T	T	T	T	T	T	T	T
	25	-	-	4.5	4.5	4.5	4.5	8.5	T	T	T	T	T	4	T	T	T	4	T	T	T	T	T	T	T	T
	32	-	-	-	3	4	4	7	10	5	T	T	T	-	5	T	T	-	5	T	T	T	T	T	T	T
	40	-	-	-	3	3	3	6	8	5	T	T	T	-	5	T	T	-	5	T	T	T	T	T	T	T
	50	-	-	-	-	3	3	5.5	7	4	T	T	T	-	4	T	T	-	4	T	T	T	T	T	T	T
	63	-	-	-	-	3	3	5	6	4	T	T	T	-	4	T	T	-	4	T	T	T	T	T	T	T
	80	-	-	-	-	-	-	5	6	4	T	T	T	-	4	T	T	-	4	T	T	T	T	T	T	T
	100	-	-	-	-	-	-	-	5	-	T	T	T	-	-	T	T	-	-	T	T	T	T	T	T	T
125	-	-	-	-	-	-	-	3	-	T	T	T	-	-	T	T	-	-	T	T	T	T	T	T	T	

T = total selectivity, up to downstream circuit breaker breaking capacity, according to IEC 60947-2
 1: Electronic release, selector switch on "HIGH" - 2: Electronic release, selector switch on "LOW"

	DPX ³ 630 electronic release ⁽¹⁾ S2, Sg (36, 50, 70, 100 kA)					DPX ³ 630 electronic release ⁽²⁾ S2, Sg (36, 50, 70, 100 kA)					DPX ³ 1600 (36, 50, 70, 100 kA)				DPX ³ 1600 electronic release ⁽¹⁾ S1, S2, Sg (36, 50, 70, 100 kA)					DPX ³ 1600 electronic release ⁽²⁾ S1, S2, Sg (36, 50, 70, 100 kA)				
	250	320	400	500	630	250	320	400	500	630	630	800	1000	1250	630	800	1000	1250	1600	630	800	1000	1250	1600
	T	T	T	T	T	T	T	T	T	T	T	T	T	T	T	T	T	T	T	T	T	T	T	T
	T	T	T	T	T	T	T	T	T	T	T	T	T	T	T	T	T	T	T	T	T	T	T	T
	T	T	T	T	T	T	T	T	T	T	T	T	T	T	T	T	T	T	T	T	T	T	T	T
	T	T	T	T	T	T	T	T	T	T	T	T	T	T	T	T	T	T	T	T	T	T	T	T
	T	T	T	T	T	T	T	T	T	T	T	T	T	T	T	T	T	T	T	T	T	T	T	T
	T	T	T	T	T	T	T	T	T	T	T	T	T	T	T	T	T	T	T	T	T	T	T	T
	T	T	T	T	T	T	T	T	T	T	T	T	T	T	T	T	T	T	T	T	T	T	T	T
	T	T	T	T	T	T	T	T	T	T	T	T	T	T	T	T	T	T	T	T	T	T	T	T
	T	T	T	T	T	T	T	T	T	T	T	T	T	T	T	T	T	T	T	T	T	T	T	T
	T	T	T	T	T	T	T	T	T	T	T	T	T	T	T	T	T	T	T	T	T	T	T	T
	T	T	T	T	T	T	T	T	T	T	T	T	T	T	T	T	T	T	T	T	T	T	T	T
	T	T	T	T	T	T	T	T	T	T	T	T	T	T	T	T	T	T	T	T	T	T	T	T
	T	T	T	T	T	T	T	T	T	T	T	T	T	T	T	T	T	T	T	T	T	T	T	T
	T	T	T	T	T	T	T	T	T	T	T	T	T	T	T	T	T	T	T	T	T	T	T	T
	T	T	T	T	T	T	T	T	T	T	T	T	T	T	T	T	T	T	T	T	T	T	T	T
	T	T	T	T	T	T	T	T	T	T	T	T	T	T	T	T	T	T	T	T	T	T	T	T
	T	T	T	T	T	T	T	T	T	T	T	T	T	T	T	T	T	T	T	T	T	T	T	T
	T	T	T	T	T	T	T	T	T	T	T	T	T	T	T	T	T	T	T	T	T	T	T	T
	T	T	T	T	T	T	T	T	T	T	T	T	T	T	T	T	T	T	T	T	T	T	T	T
	T	T	T	T	T	T	T	T	T	T	T	T	T	T	T	T	T	T	T	T	T	T	T	T
	T	T	T	T	T	T	T	T	T	T	T	T	T	T	T	T	T	T	T	T	T	T	T	T
	T	T	T	T	T	T	T	T	T	T	T	T	T	T	T	T	T	T	T	T	T	T	T	T
	T	T	T	T	T	T	T	T	T	T	T	T	T	T	T	T	T	T	T	T	T	T	T	T
	T	T	T	T	T	T	T	T	T	T	T	T	T	T	T	T	T	T	T	T	T	T	T	T
	T	T	T	T	T	T	T	T	T	T	T	T	T	T	T	T	T	T	T	T	T	T	T	T

Selectivity tables MCCBs/MCBs (continued)

Downstream MCB	In (A)	Upstream MCCB																									
		DPX ³ 160 (16, 25, 36, 50 kA) with or without e.l.c.bs								DPX ³ 250 (25, 36, 50, 70 kA) with or without e.l.c.bs				DPX ³ 250 electronic release ⁽¹⁾ (25, 36, 50, 70 kA) with or without e.l.c.bs				DPX ³ 250 electronic release ⁽²⁾ (25, 36, 50, 70 kA) with or without e.l.c.bs				DPX ³ 630 (36, 50, 70, 100 kA)					
		16	25	40	63	80	100	125	160	100	160	200	250	40	100	160	250	40	100	160	250	250	320	400	500	630	
DX ³ 16 kA direct current	≤ 6	6	12	12	T	T	T	T	T	-	-	-	-	-	-	-	-	-	-	-	-	T	T	T	T	T	
	8	6	12	12	T	T	T	T	T	-	-	-	-	-	-	-	-	-	-	-	-	T	T	T	T	T	
	10	5	7	7	7	T	T	T	T	-	-	-	-	-	-	-	-	-	-	-	-	T	T	T	T	T	
	16	-	6	6	6	6	T	T	T	-	-	-	-	-	-	-	-	-	-	-	-	T	T	T	T	T	
	20	-	5	5	5	5	6	T	T	-	-	-	-	-	-	-	-	-	-	-	-	T	T	T	T	T	
	25	-	-	3.5	3.5	4.5	4.5	8.5	T	-	-	-	-	-	-	-	-	-	-	-	-	-	T	T	T	T	T
	32	-	-	-	3	4	4	7	10	-	-	-	-	-	-	-	-	-	-	-	-	-	T	T	T	T	T
	40	-	-	-	3	3	3	6	8	-	-	-	-	-	-	-	-	-	-	-	-	-	T	T	T	T	T
	50	-	-	-	-	3	3	5.5	7	-	-	-	-	-	-	-	-	-	-	-	-	-	T	T	T	T	T
63	-	-	-	-	3	3	5	6	-	-	-	-	-	-	-	-	-	-	-	-	-	T	T	T	T	T	
DX ³ 25 kA	≤ 6	T	T	T	T	T	T	T	T	T	T	T	T	T	T	T	T	T	T	T	T	T	T	T	T	T	
	10	T	T	T	T	T	T	T	T	T	T	T	T	T	T	T	T	T	T	T	T	T	T	T	T	T	
	16	-	T	T	T	T	T	T	T	T	T	T	T	T	T	T	T	T	T	T	T	T	T	T	T	T	
	20	-	-	T	T	T	T	T	T	T	T	T	T	T	T	T	T	T	T	T	T	T	T	T	T	T	
	25	-	-	T	T	T	T	T	T	T	T	T	T	T	T	T	T	T	T	T	T	T	T	T	T	T	
	32	-	-	-	T	T	T	T	T	T	T	T	T	-	T	T	T	-	T	T	T	T	T	T	T	T	
	40	-	-	-	T	T	T	T	T	T	T	T	T	-	T	T	T	-	T	T	T	T	T	T	T	T	
	50	-	-	-	4	4	5	10	10	20	T	T	T	-	20	T	T	-	20	T	T	T	T	T	T	T	
	63	-	-	-	-	3	5	10	10	15	T	T	T	-	15	T	T	-	15	T	T	T	T	T	T	T	
	80	-	-	-	-	-	-	5	6	4	T	T	T	-	4	T	T	-	4	T	T	T	T	T	T	T	
	100	-	-	-	-	-	-	-	5	-	T	T	T	-	-	T	T	-	-	T	T	T	T	T	T	T	
125	-	-	-	-	-	-	-	3	-	T	T	T	-	-	T	T	-	-	T	T	T	T	T	T	T		
DX ³ 50 kA	10	T	T	T	T	T	T	T	T	-	-	-	-	-	-	-	-	-	-	-	-	T	T	T	T	T	
	16	-	T	T	T	T	T	T	T	-	-	-	-	-	-	-	-	-	-	-	-	-	T	T	T	T	
	20	-	-	T	T	T	T	T	T	-	-	-	-	-	-	-	-	-	-	-	-	-	T	T	T	T	
	25	-	-	36	T	T	T	T	T	-	-	-	-	-	-	-	-	-	-	-	-	-	T	T	T	T	
	32	-	-	-	T	T	T	T	T	-	-	-	-	-	-	-	-	-	-	-	-	-	T	T	T	T	
	40	-	-	-	T	T	T	T	T	-	-	-	-	-	-	-	-	-	-	-	-	-	T	T	T	T	
	50	-	-	-	-	4	5	10	10	-	-	-	-	-	-	-	-	-	-	-	-	-	-	T	T	T	T
63	-	-	-	-	-	5	10	10	-	-	-	-	-	-	-	-	-	-	-	-	-	-	T	T	T	T	

T = total selectivity, up to downstream circuit breaker breaking capacity, according to IEC 60947-2

1: Electronic release, selector switch on "HIGH" - 2: Electronic release, selector switch on "LOW" - 3: 36 kA for DPX

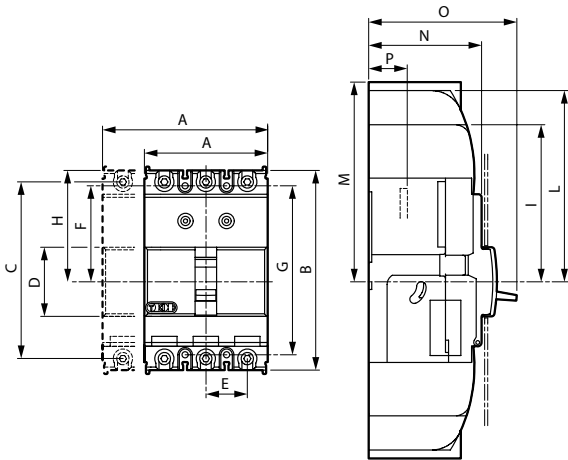
³ 630 & 1600 36 kA upstream / T for DPX

³ 630 & 1600 50, 70, 100 kA upstream

DPX³ 160 thermal magnetic

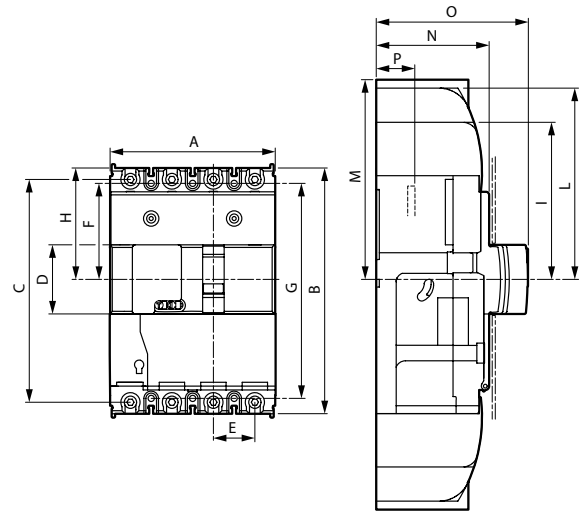
■ Dimensions

Fixed version

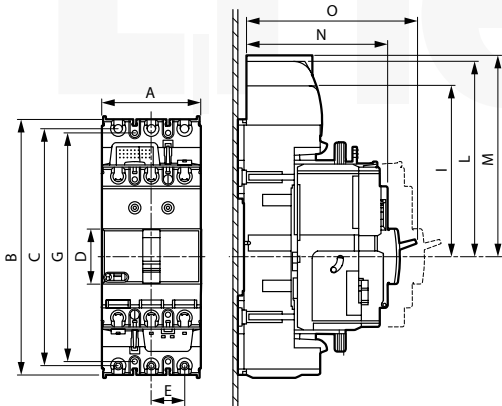


	A	B	C	D	E	F	G	H	I	L	M	N	O	P
3P	81	130	115	45	27	62,5	110	72,5	102,5	125	-	74	100	18
4P	108	130	115	45	27	62,5	110	72,5	102,5	125	-	74	100	18
e.l.c.bs	108	160	145	45	27	62,5	140	72,5	102,5	125	-	74	100	18

Fixed version with earth leakage module

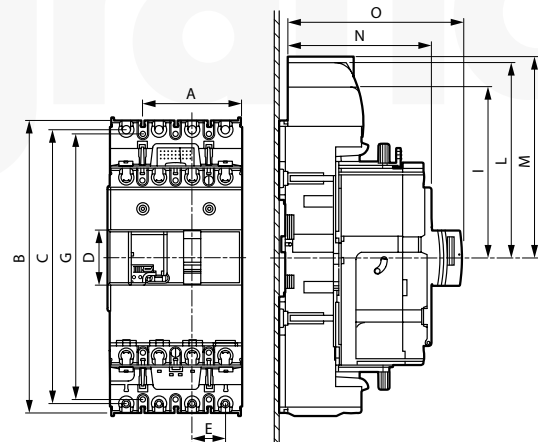


Plug-in version



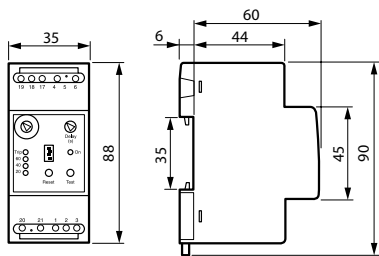
	A	B	C	D	E	F	G	H	I	L	M	N	O	P
3P	81	208	193	45	27	100,5	186	111,5	141,5	164	-	122	148	-
4P	108	238	223	45	27	100,5	216	111,5	141,5	164	-	122	148	-
e.l.c.bs	108	230	223	45	27	100,5	216	111,5	141,5	164	-	122	148	-

Plug-in version with earth leakage module



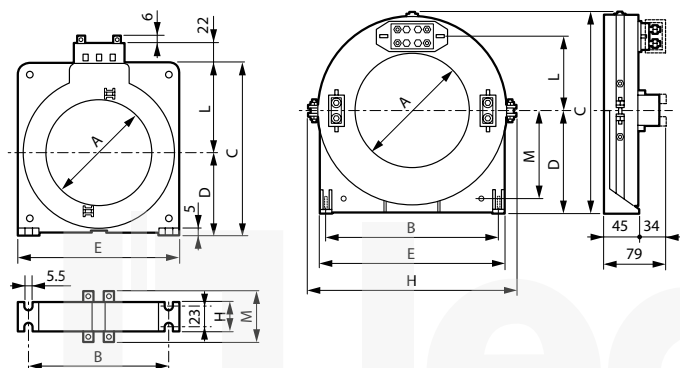
Residual current relay

Cat.No 0260 88



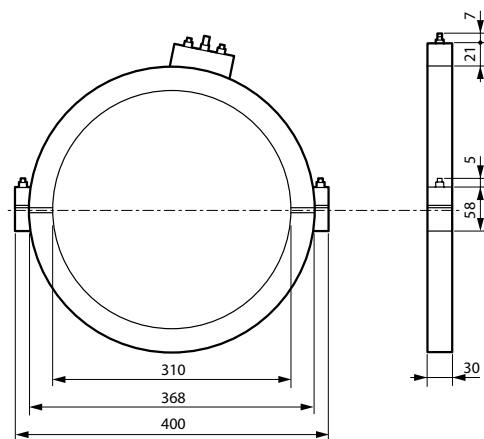
Coils

Cat.Nos 0260 92/93/94/95/96 Cat.No 0260 97



Cat.Nos	A	B	C	D	E	H	L	M
0260 92	35	75	85	42	92	36	43	56
0260 93	80	108	132	67	125	36	65	56
0260 94	110	148	170	86	165	36	84	56
0260 95	140	177	206	104	200	36	102	56
0260 96	210	270	295	150	290	44	145	64
0260 97	150	225	259	133	245	275	95	113

Cat.No 0260 98



Electrical characteristics

	DPX ³ -I 160	DPX ³ -I 250	DPX ³ -I 630	DPX ³ -I 1600
Rated operating voltage U _e (V)	50/60 Hz	690 ⁽¹⁾	690 ⁽¹⁾	690
	direct	250	250	250
Rated insulation voltage U _i (VA)	800	800	690	690
Rated impulse withstand voltage U _{imp} (kV)	8	8	8	8
Rated closing capacity on 400 V short circuit I _{cm} (kA)	3	3	6.5 ⁽³⁾ / 13 ⁽⁴⁾	40
Short-time resistive current t = 1 s I _{cw} (kA)	1.7	1.7	4 ⁽⁵⁾ / 7.6 ⁽⁴⁾	10 ⁽⁵⁾ / 15 ⁽⁶⁾ / 20 ⁽⁷⁾
Endurance (o.c. cycle)	mechanical	25000	25000	15000
	electrical	8000	8000	5000
Conventional thermal current (A)	160	250	630	1600
Nominal current of use (A) AC 23 A (690 V±)	160 (160 V)	250 (250 V)	630	1600
DC 23 A (250 V±)	160	160	630	-

- 1: 500 V for DPX³-I with earth leakage module
- 2: Up to 1250 A
- 3: I_n = 400 A
- 4: I_n = 630 A
- 5: I_n = 800 A
- 6: I_n = 1250 A
- 7: I_n = 1600 A

DPX³ MCCB

selection chart

		DPX ³	DPX ³ 160	DPX ³ 250	DPX ³ 630	DPX ³ 1600			
		Ratings	upto 160 A	40 A - 250 A	250 - 630 A	800 A	1000 A	1250 A	1600 A
Rotary Handles	Direct		4201 60	4201 62	0262 61				
	Vary Depth		4201 61	4201 63	0262 83				
Motor Operator	Side	24 - 230 V	4210 60	-	-	-	-	-	-
		Front	24 V	4210 61	0261 40	0261 24		0261 19	
	48 V		0261 41		0261 25		0261 28		
	110 V			-	0261 26		0261 29		
	230 V			-	0261 23		0261 27		
	230V F			0261 44	0261 54				
Aux Contacts	1 NO + 1NC for RoH		4210 10	-	-	-	-	-	-
	Fault Signalling / ON-OFF		4210 11						
Shunt Release	12 V		4210 12	-	-	-	-	-	-
	24 V		4210 13	4222 39					
	48 V		4210 14	4222 40					
	110-130 V / 110 V		4210 15	4222 41					
	200-277 V / 230 V		4210 16	4222 42					
	380-480 V / 400 V		4210 17	4222 43					
UV Release	12 V		4210 18	-	-	-	-	-	-
	24V DC	-	-	-	4222 44				
	24 V		4210 19	4222 45					
	48 V		4210 20	4222 46					
	110-130 V / 110 V		4210 21	4222 47					
	200-240 V / 230 V		4210 22	4222 48					
	277 V		4210 23	-	-	-	-	-	-
	380-415 V / 400 V		4210 24	4222 49					
	440-480 V		421025	-	-	-	-	-	-
Spreaders	3P	6250 02	6250 14	6250 04	4226 24		0262 73		
	4P	6250 06	6250 18	6250 08	4226 25		0262 74		

DPX³ MCCB

Rotary Handles for DPX³



- Smaller dimension of rotary handle base for better visibility of parameters and better access to trip unit
- Only 3 parts for easy installation
- Spring for better play
- Door defeat mechanism for easy maintenance
- ON / OFF indication on the knob
- Pad Locking on the knob – upto 3 Locks