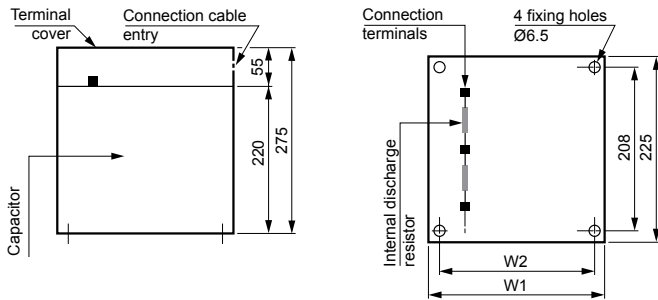


## ■ Dimensions

### Standard duty / Heavy duty - 3 phase



Standard duty	Heavy duty	Dimensions (mm)			Weight (kg)
		W1	W2	H	
	VH2.540CB	90	70	275	3.5
V544CB	VH540CB	90	70	275	3.5
V1044CB	VH7.540CB	90	70	275	3.5
V12.544CB	VH1040CB	90	70	275	3.5
V1544CB	VH12.540CB	90	70	275	3.5
V2044CB	VH1540CB	90	70	275	3.5
V2544CB	VH2040CB	90	70	275	3.5
V3044CB	VH2540CB	90	70	275	3.5
V4044CB	VH3040CB	180	156	275	7
V5044CB	VH3540CB	180	156	275	7
V6044CB	VH4040CB	180	156	275	7
V7044CB	VH5040CB	180	156	275	7
V8044CB	VH6040CB	270	244	275	10.5
V9044CB	VH7540CB	270	244	275	10.5
V10044CB	VH8040CB	360	332	275	14
V12544CB	VH9040CB	360	332	275	14
	VH10040CB	360	332	275	14
	VH12540CB	450	419	275	17.5

### Heavy duty capacitor with series reactor, standard class - 3 phase

Cat.Nos	Dimensions (mm)			Weight (kg)
	Height	Width	Depth	
VS5040.189	1400	600	500	120
VS7540.189	1400	600	500	140
VS10040.189	1400	600	500	160
VS15040.189	1400	600	500	180
VS20040.189	1900	800	500	250
VS25040.189	1900	800	500	275
VS30040.189	1900	800	500	300

### Heavy duty capacitor with series reactor, reinforced class - 3 phase

Cat.Nos	Dimensions (mm)			Weight (kg)
	Height	Width	Depth	
VS.R4040.189	1400	600	500	120
VS.R8040.189	1400	600	500	150
VS.R12040.189	1400	600	500	180
VS.R16040.189	1900	800	500	220
VS.R20040.189	1900	800	500	260
VS.R24040.189	1900	800	500	280
VS.R28040.189	1900	800	500	300

### Heavy duty capacitor with series reactor, extra-reinforced class - 3 phase

Cat.Nos	Dimensions (mm)			Weight (kg)
	Height	Width	Depth	
VS.RS7240.189	2100	1000	600	180
VS.RS14440.189	2100	1000	600	250
VS.RS21640.189	2100	1000	600	320
VS.RS28840.189	2100	1000	600	380