

■ **Technical data**

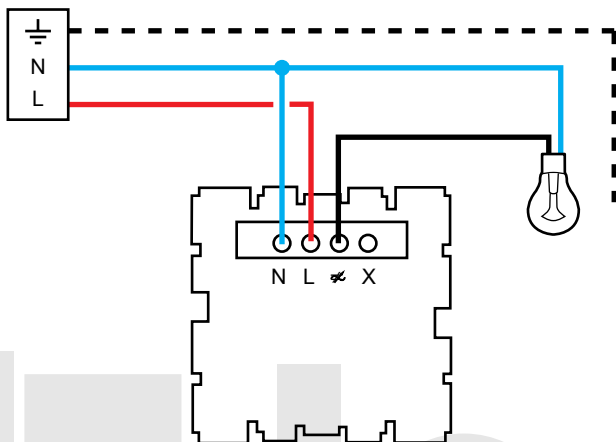
Sensitive switch

Cat.Nos 5720 51, 5725 51, 5734 55, 5736 55

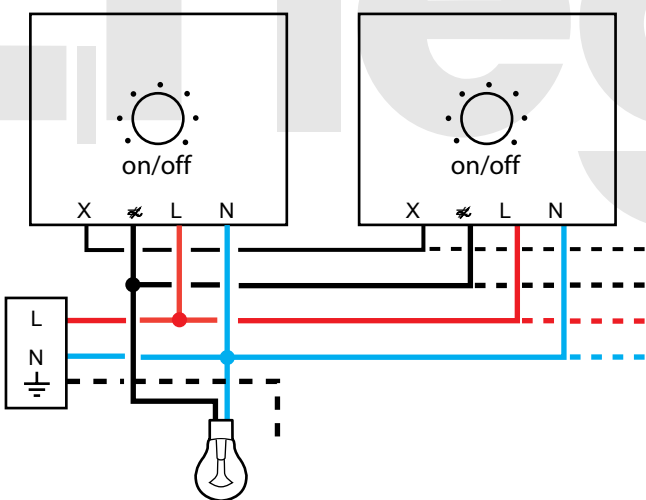
Connection

Number of terminals: 4
Terminal type: with screws
Terminal capacities: 2 x 1.5 mm² ou 1 x 2.5 mm²
Tool: flat-blade screwdriver 3.5 mm

Connection of one switching point



Connection of several sensitive control points (5 max.)



Electrical characteristics

Self-extinguishing: 650 °C / 30s
Voltage: 100 - 240 V
Frequency: 50/60 Hz

Max. power

	①	②	③	④
240 V	1000 W	1000 W	500 VA	500 VA
100 V	500 W	500 W	250 VA	250 VA

	⑤	⑥	⑦	⑧	⑨
500 VA	500 VA	100 VA	1000 W	I max. < 2 A	
250 VA	250 VA	50 VA	500 W	I max. < 1 A	

- ① - Incandescent lamp
- ② - Halogen lamp
- ③ - ELV halogen lamp with ferromagnetic or electronic transformer
- ④ - Fluorescent tube
- ⑤ - Compact fluorescent lamp
- ⑥ - Compact fluorescent lamp with separate transformer
- ⑦ - Fan drive
- ⑧ - Auxiliary radiator
- ⑨ - Contactor

Climatic characteristics

Storage temperatures: - 10 °C to + 70 °C
Operating temperatures: - 5 °C to + 35 °C